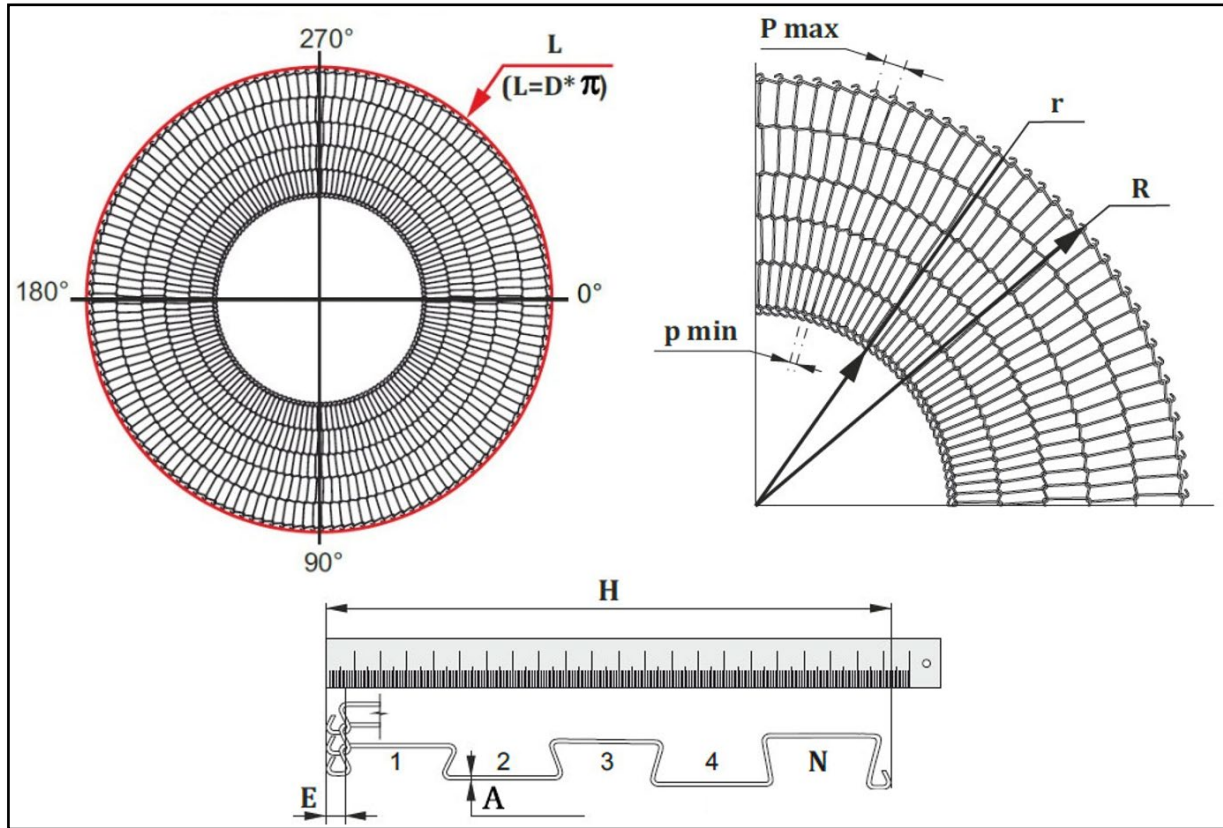


Specialize In Wire Conveyor Belt Manufacturing And Solution.

Flat Flex Turn Curve Conveyor Belt Enquiry Form

Please supply the following technical parameter information of your belt in order to obtain further quotation, if cannot confirm, please contact us by email in time.



Basic information			
Material	H: Overall Width (mm)		L: Length (m)
Detailed information			
P max: Maximum Pitch (mm)	A: Wire diameter (mm)		
P min: Minimum Pitch (mm)	E: Single loop space width (mm)		
R: Outside Radius(mm)	N: Total number of spaces across belt		
r: Inside Radius(mm)	Direction		<input type="checkbox"/> Right Hand <input type="checkbox"/> Left Hand
Please fill in your more demand information here:			

Note: If you are unsure of the specification identification please contact the sales department to discuss or send a short length sample.